

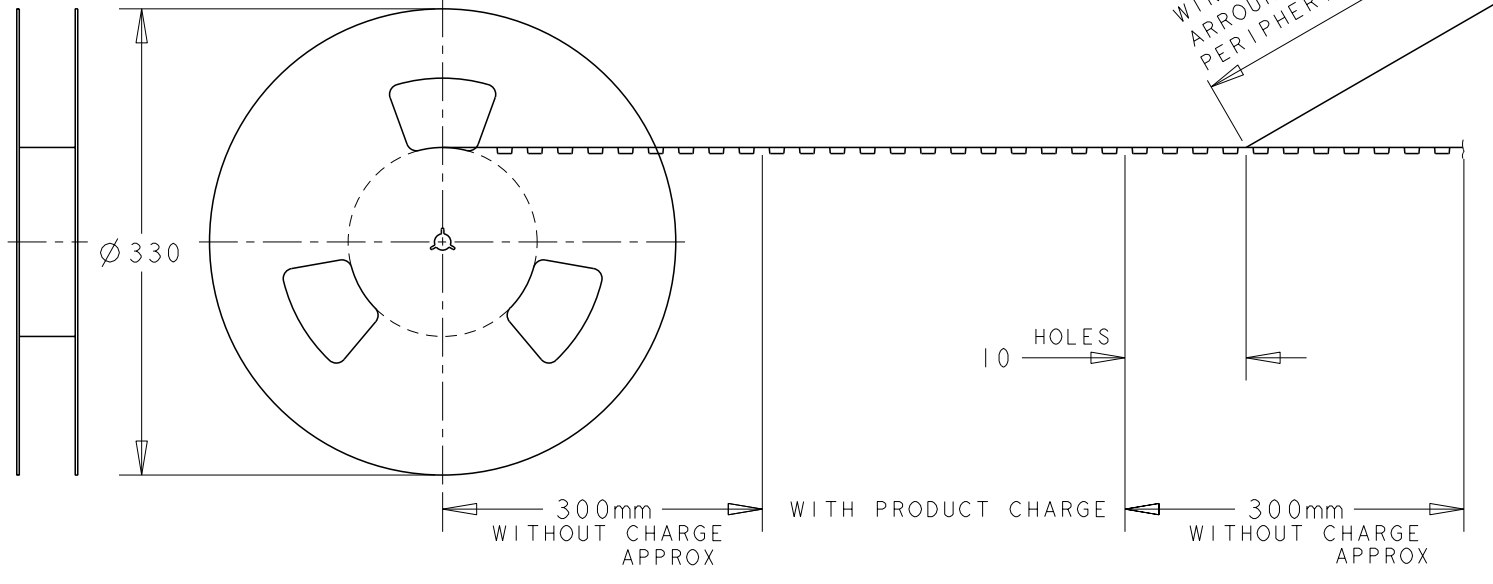
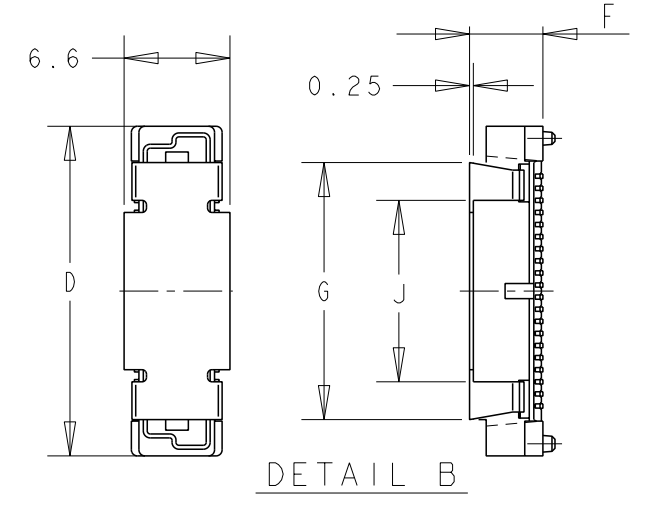
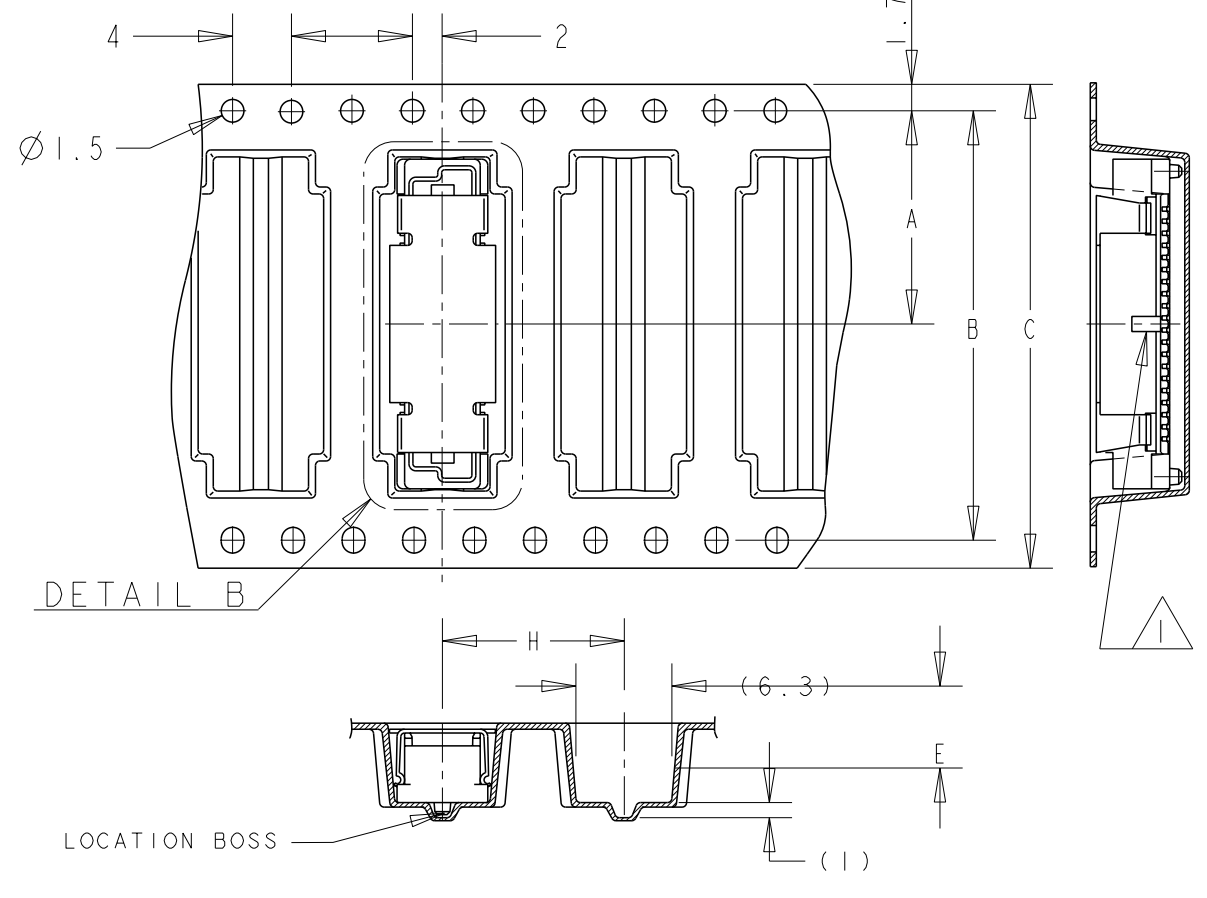
Notes:

- ① CUTOUT FEATURE AVAILABLE ONLY ON 5H ASSY P/N -1 (40P) AND -2 (60P).
- ② 0.00038 MIN GOLD PLATING (15u INCHES GOLD PLATING)
- ③ CONNECTOR DIMENSIONS REFERENCED FROM DRAWING WHICH CONN. P/Ns BASED

HALOGEN FREE

DIRECTION OFF TOP OF REEL →

REMARKS	QTY	HEIGHT TYPE	J	H	G	F	E	D	C	B	A	POS	CONN. P/N REF. ONLY	SALEABLE PART NO.	Plating Thickness (u)						
															1	2	3	4			
0.00076 MIN GOLD PLATING (30u INCHES GOLD PLATING)	450	↑	↑	↑	↑	↑	↑	↑	↑	↑	↑	↑	↑	↑	↑	61.8	88	84.4	42.2		
																53.8	72	68.4	34.2		
	700	↑	↑	↑	↑	↑	↑	↑	↑	↑	↑	↑	↑	↑	↑	↑	69.8	32	28.4	14.2	
																	61.8	56	52.4	26.2	
	550	↑	↑	↑	↑	↑	↑	↑	↑	↑	↑	↑	↑	↑	↑	↑	53.8	72	68.4	34.2	
																	37.8	44	40.4	20.2	
	800	↑	↑	↑	↑	↑	↑	↑	↑	↑	↑	↑	↑	↑	↑	↑	↑	29.8	44	40.4	20.2
																		29.8	32	28.4	14.2
	650	↑	↑	↑	↑	↑	↑	↑	↑	↑	↑	↑	↑	↑	↑	↑	↑	85.8	104	100.4	50.2
																		69.8	88	84.4	42.2
	900	↑	↑	↑	↑	↑	↑	↑	↑	↑	↑	↑	↑	↑	↑	↑	↑	61.8	56	52.4	26.2
																		53.8	44	40.4	20.2
0.0002 MIN GOLD PLATING (7.8u INCHES GOLD PLATING)	450	↑	↑	↑	↑	↑	↑	↑	↑	↑	↑	↑	↑	↑	↑	↑	85.8	104	100.4	50.2	
																	77.8	88	84.4	42.2	
	600	↑	↑	↑	↑	↑	↑	↑	↑	↑	↑	↑	↑	↑	↑	↑	↑	61.8	56	52.4	26.2
																		53.8	44	40.4	20.2
	450	↑	↑	↑	↑	↑	↑	↑	↑	↑	↑	↑	↑	↑	↑	↑	↑	45.8	72	68.4	34.2
																		37.8	44	40.4	20.2
	700	↑	↑	↑	↑	↑	↑	↑	↑	↑	↑	↑	↑	↑	↑	↑	↑	21.8	32	28.4	14.2
																		21.8	20	16	8
	500	↑	↑	↑	↑	↑	↑	↑	↑	↑	↑	↑	↑	↑	↑	↑	↑	61.8	88	84.4	42.2
																		53.8	72	68.4	34.2
	800	↑	↑	↑	↑	↑	↑	↑	↑	↑	↑	↑	↑	↑	↑	↑	↑	69.8	32	28.4	14.2
																		61.8	56	52.4	26.2
650	↑	↑	↑	↑	↑	↑	↑	↑	↑	↑	↑	↑	↑	↑	↑	↑	53.8	72	68.4	34.2	
																	37.8	44	40.4	20.2	
900	↑	↑	↑	↑	↑	↑	↑	↑	↑	↑	↑	↑	↑	↑	↑	↑	29.8	44	40.4	20.2	
																	29.8	32	28.4	14.2	



THIS DRAWING IS A CONTROLLED DOCUMENT.		DWN FLORENCE TAN 30AUG04	TE Connectivity NAME PLUG ASSEMBLY (0.5 BOSS LENGTH) FOR FH 0.8 B-T-B CONN. ON TAPING	
DIMENSIONS: mm		CHK ERIC TNG		
TOLERANCES UNLESS OTHERWISE SPECIFIED:		PRODUCT SPEC	SIZE A3	
0 PLC ±-		APPLICATION SPEC	CAGE CODE 00779	DRAWING NO. 5177986
1 PLC ±0.3		WEIGHT	RESTRICTED TO	
2 PLC ±0.25		CUSTOMER DRAWING		
3 PLC ±0.2		SCALE 2:1		
4 PLC ±-		SHEET 1 OF 1		
ANGLES ±3°		REV E4		
FINISH -				